

BRAUDE

Control Panels

Wall mounted or supplied with frames for free standing



- custom made
- integrates with other Braude equipment
- meets industry safety standards
- wall mounted or free standing frame available
- accurate process control
- remote control software available

Built to suit your installation

Braude engineers will discuss your control requirements and submit a suitable design for your approval.

Used worldwide by:

- Steel strip manufacturers
- Wire & Tube
- Chemical Plants
- Metal Finishers
- Galvanising
- Glass Producers
- Aerospace Industry
- Chemical Millers



BRAUDE

Control Panels

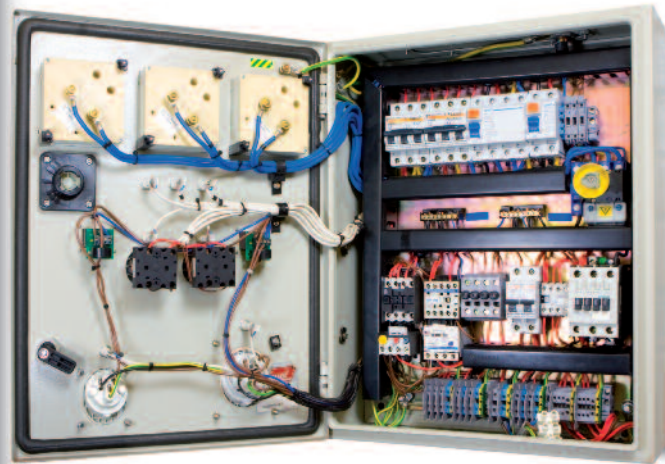
Wall mounted or free standing

Panels are normally IP65 rated minimum. All panels would normally be suitable for wall mounting but can also be provided with frames for free standing.

Panels can link to the Braude range of controllers or can be supplied with their own panel mounted display units. All panels are robust, safe and manufactured from high quality materials.

For heating all control panels should contain

- **MCB** – Miniature Circuit Breakers for over current protection
- **RCD** – Residual Current Devices for Earth Leakage protection (essential)
- **Contactors** – Automatic Power Switching to the heater
- **Power Isolation** – Switches to isolate the heaters



Accurate temperature control

Accurate temperature control is essential for modern complex manufacturing plants and production processes. Besides the high demands of the industry there is a need for simple and vigorous products for the construction and building business sector.

BRAUDE identified this important core process and permanently invests in research and development of new components.

An economic and efficient measurement and control technology saves energy, increases safety and the life cycle of our electrical heaters and systems through measurement, control, monitoring and sensors.

We have a full range of controllers to suit all applications and budgets, from simple frost protection of storage tanks to sophisticated control systems and panels.

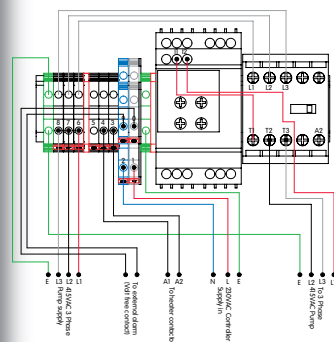
Contact our sales office for more information or a quotation for your specific requirement.

Ancillary Items

The Following items are available from Braude...

- **HPD Low level cut out:** completely non-corrodable and fitted to the heater
- **Levelmaster:** dual point liquid level controller
- **Thermaster:** temperature controller
- **Tankmaster MP** dual level and temperature controller.
- **Earth leakage circuit breakers (RCD)**
- **MCB's and contactors**

Braude also produce other non-corrodable equipment for the chemical, metal finishing, metal processing and steel industries, UK and worldwide.



Braude can supply other configurations to suit specific tank sizes. Please contact our sales department for advice.

